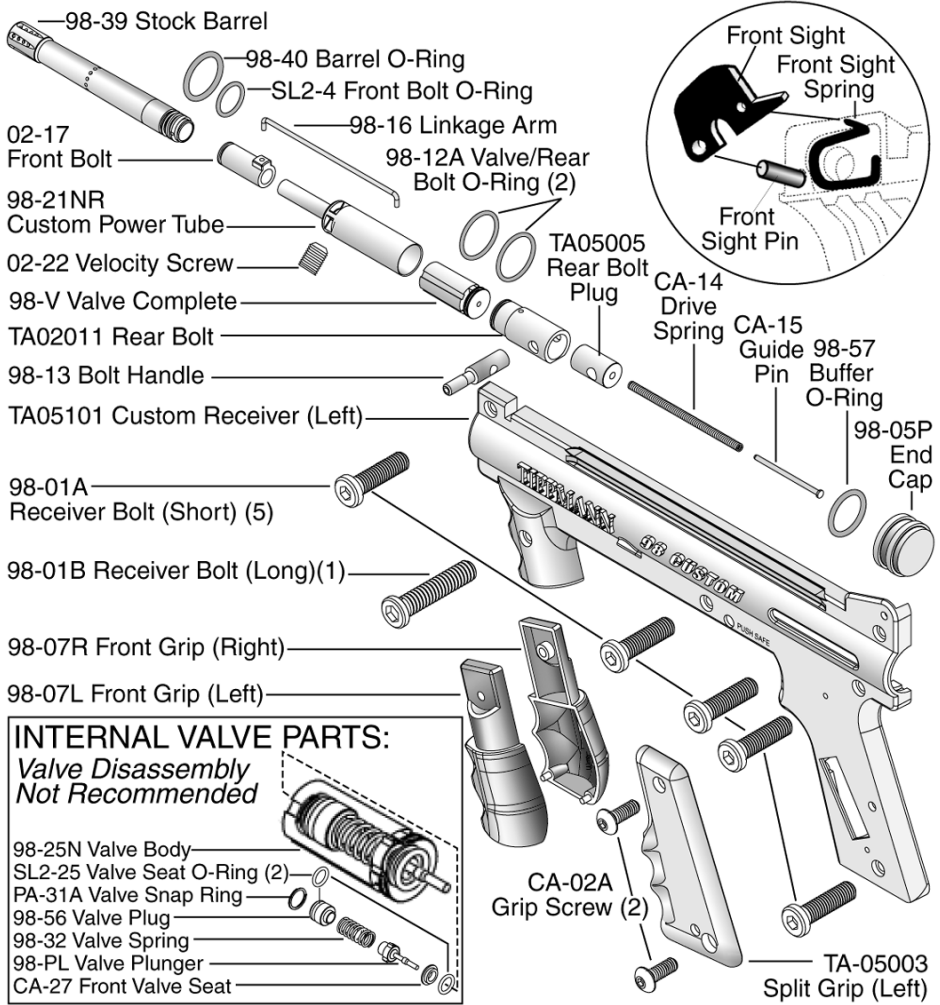
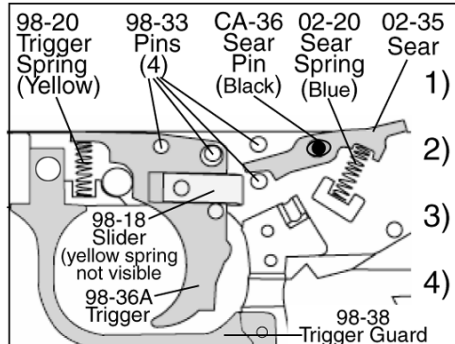


# 98 CUSTOM™ Parts List



**INTERNAL VALVE PARTS:**  
*Valve Disassembly Not Recommended*



## TRIGGER ASSEMBLY

- 1) Place 4 dowel pins and 1 black sear pin into locations as shown.
- 2) Then place the trigger and sear onto pins as shown.
- 3) Insert sear spring (blue) as shown.
- 4) Insert trigger spring (yellow) as shown.

**WARNING**

**DO NOT FIELD STRIP OR OTHERWISE DISASSEMBLE THIS MARKER WHILE IT IS PRESSURIZED WITH AIR.**

**TIPPMANN™**  
**1-800-533-4831**  
[www.tippmann.com](http://www.tippmann.com)

